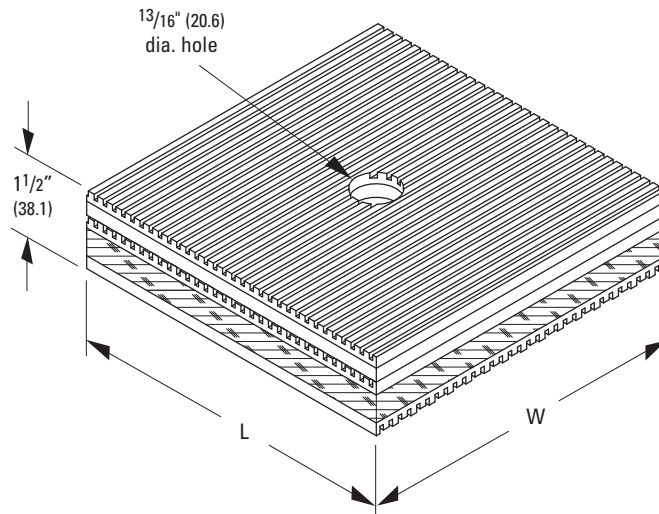
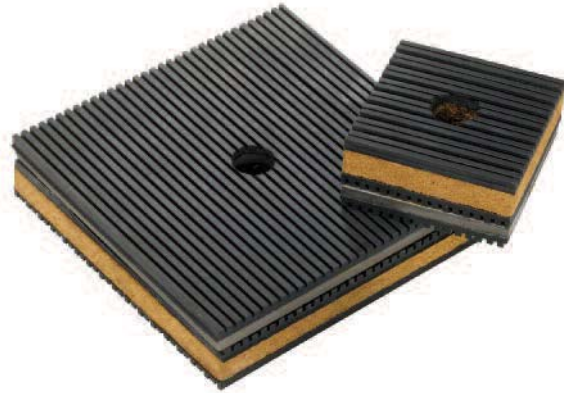


CNNK Type - Cork, Ribbed Neoprene and Steel Vibration Pad

Use: Is used to dampen noise and vibration in floor caused by medium and high speed equipment.

- Recommended load capacity:
Up to 50 lbs./sq.in. (0.042 kgf/mm²) with a range of
25-70 lbs./sq.in. (0.021-0.059 kgf/mm²)
- Overall thickness: 1 1/2" (38.1mm)
Has 1/4" (6.3mm) steel plate for even weight distribution.
Hole in center will accept up to 3/4" bolt
- The CNNK type has a deflection of 3/16" (4.7mm).
For greater deflection, use multiple pads in layers
- Non-skid: The pad has an alternating height rib pattern to minimize slip
- Durable: Material is oil-resistant Neoprene
- Typical Applications: Air conditioners, cooling towers, compressors, fans, generators, pumps, piping, process equipment, transformers, etc.



Part No.	Rated Load		Dimensions				Wt. Each		
	Lbs.	(kN)	L in.	(mm)	W in.	(mm)	Std. Pkg.	Lbs.	(kg)
CNNK-4	200	(.89)	2"	(50.8)	2"	(50.8)	48	.40	(.18)
CNNK-9	450	(2.00)	3"	(76.2)	3"	(76.2)	36	.90	(.41)
CNNK-16	800	(3.56)	4"	(101.6)	4"	(101.6)	24	1.60	(.73)
CNNK-25	1250	(5.56)	5"	(127.0)	5"	(127.0)	24	2.50	(1.13)
CNNK-36	1800	(8.00)	6"	(152.4)	6"	(152.4)	Bulk	3.50	(1.59)
CNNK-64	3200	(14.23)	8"	(203.2)	8"	(203.2)	6	6.20	(2.81)

All dimensions in charts and on drawings are in inches. Dimensions shown in parentheses are in millimeters unless otherwise specified.